



Electronic Latch Locks

Smart Locking Systems



Reliable durability

Designed and manufactured in the UK, our range of electronic latch locks incorporate a range of innovative features. These include both key and mechanical cable overrides, a floating door bolt to accommodate mis-alignment, and a precision motor driven mechanism with excellent operation even under load.

These latches have been designed for easy connection and control and include an internal sensor for feedback on whether the door is closed. They have a push-to-lock action and on opening will push the door slightly ajar. For greater movement a spring-loaded plunger is available as a replacement for the key override barrel.

Available in 5V or 12V versions or IP-rated, the latches are supplied with a door mounted striker bolt and come with a 2, 4 or 6 metre cable.

Rigorously tested for durability and reliability, these latches are compatible with our Zodiac Smart Locking System and are ideal for use on a wide variety of smart lock applications such as personal lockers, postal and delivery systems, asset management systems and other enclosures.

Q AT A GLANCE

- 1 Door closed feedback
- 2 Mechanical override key or optional spring-loaded door opener
- 3 Electronics rated to IP65 (3777 and 3778)
- 4 Rear socket for mechanical override cable
- 5 Wide tolerance door bolt
- 6 Excellent operation under back-pressure
- 7 Fail secure when power supply is disrupted
- 8 3792 and 3777 can be controlled via USB using our 3791 Distribution Board

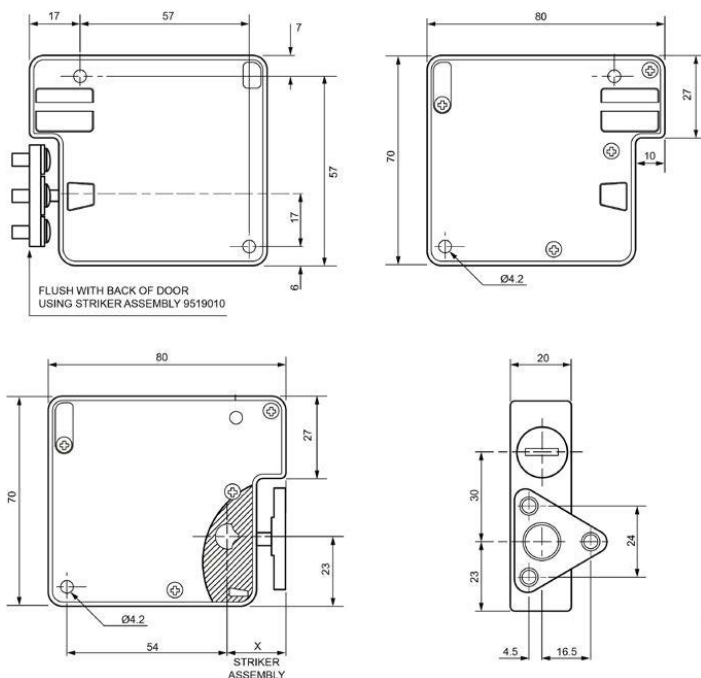


Technical data

	3792 / 3793	3777 / 3778
Interface	JST - S6B - PH - SM4 - TB	JST - S6B - PH - SM4 - TB
Dimensions	70 x 80 x 20mm	70 x 120 x 20mm
Pull out force	3000N	2100N
Maximum load for electronic opening	150N at 5V and 12V	150N at 5V and 12V
Housing material	Zinc alloy	Reinforced plastic
Weight	350g	205g
Operating temperature range	-10 to + 50°C	-10 to + 50°C
Standby current	1.4mA	1.4mA
Maximum current draw	300mA	300mA

Principal dimensions

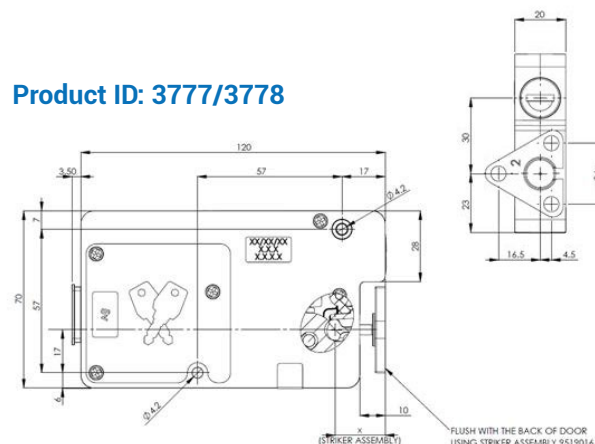
Product ID: 3792/3793



Striker Sub Assembly

Product Code	Product ID	"x" Dimension
9519010	3792/3793	20mm
9519011	3792/3793	22mm
9519016	3777/3778	20mm
9519017	3777/3778	22mm

Product ID: 3777/3778



Electrical information

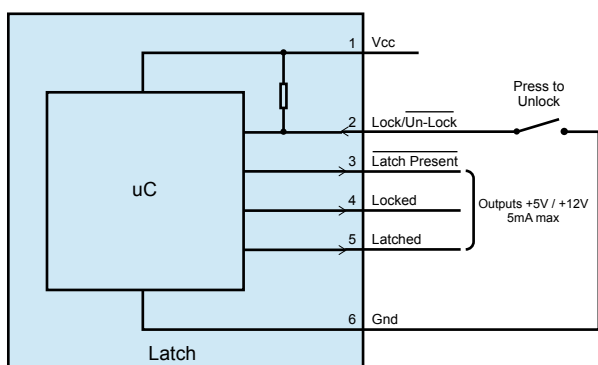
The latch input and outputs connect directly to an on-board microprocessor (uC). There is one input to specify lock/unlock (2). This is internally pulled up. When it is connected to VCC (1) or left unconnected the latch will be locked. The latch will unlock when lock/unlock (2) is pulled low (connected to ground) for longer than 10ms.

There are three outputs that indicate the status of the latch. The presence of a latch is indicated by a low signal on the latch present output (3).

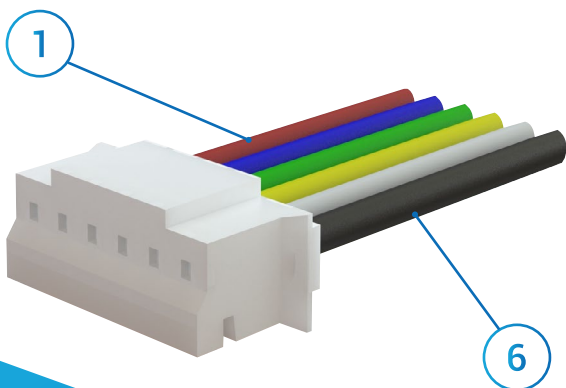
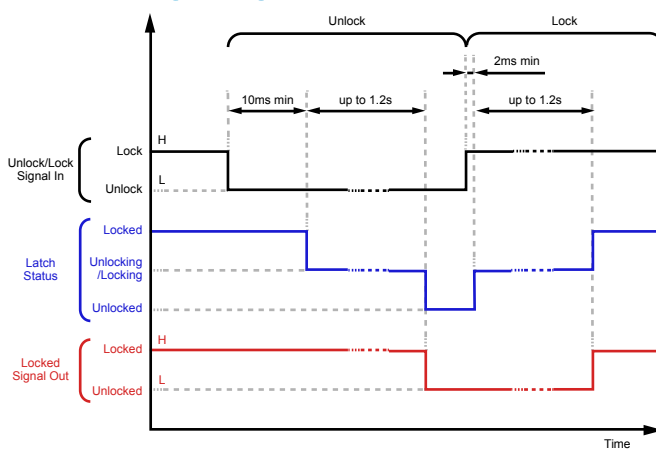
The locked status (4) indicates whether the latch is in the locked position (high) or not (low). When this output is high the latch internally is in the locked state. If the door is still open, it will be locked shut when it is next closed.

The latched status (5) indicates whether the striker bolt is latched into the lock (high) or not (low). This identifies whether the door is shut and locked or not. If the latch is unlocked (see above), the latched indicator will always be low.

Connection Diagram



Timing Diagram



Male Connector

MPN	JST, PHR-6
Pin	Description
1	+5V or +12V
2	in - lock/ unlock
3	Out - latch present (active low)
4	Out - locked (active high)
5	Out - latched (active high)
6	Ground

Typical applications

The electronic latches are compatible with our Zodiac Smart Locking System which works brilliantly across many applications and is ideally suited to the following:



Fitness & Leisure

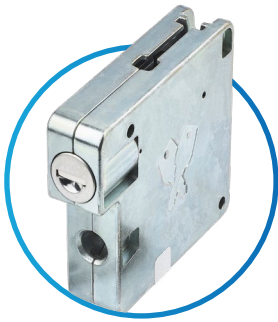
- ✓ Perfect for gyms and health clubs who want to differentiate themselves from the competition
- ✓ Create completely sleek locker rooms with no visible locking hardware
- ✓ Brand the touchscreen and push useful information
- ✓ Configure advanced settings for such things as session duration, limiting lockers per user, overnight clear-out and to easily open all lockers for cleaning



Parcel lockers

- ✓ Zodiac ensures smooth deliveries without the need for anyone to be kept waiting
- ✓ Courier independent: packages can be safely and securely deposited in seconds – simply by selecting the recipient's name on the touchscreen
- ✓ Parcel lockers can be fitted in lobbies or outside
- ✓ Add value for residents by securely handling deliveries
- ✓ Allow staff to receive parcels at work without unduly occupying company logistics operators
- ✓ IP-rated hardware for outdoor installations - switch out the electronic latches and touchscreen for water resistant versions

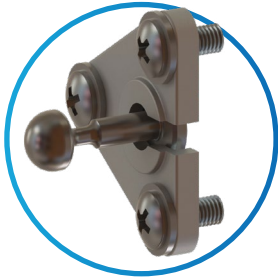
Accessories 3792/3793



37928K - 5V Latch (Silver Electroplated)

37938K - 12V Latch (Silver Electroplated)

**Optional colours available*



9519010 - Striker assembly (flush fit)

9519011 - Striker assembly (2mm stand-off)

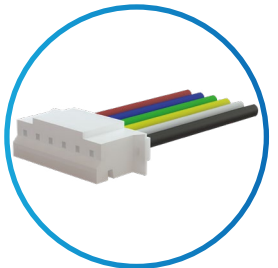


9235435 - Plug (barrel replacement with anti-drill pins)



9519013 - 13mm spring-loaded door plunger

(replaces barrel override)



9560520 - 2 metre cable

9560540 - 4 metre cable

9560560 - 6 metre cable

**Other lengths available on request*

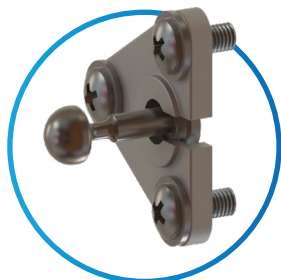
NOTE: All cables have male connectors both ends

Accessories 3777/3778



37770H - 5V Latch (Black reinforced plastic)

37780H - 12V Latch (Black reinforced plastic)



9519016 - Wet environment striker assembly (flush fit)

9519011 - Wet environment striker assembly (+2mm stand-off)



9519013 - 13mm spring-loaded door plunger
(replaces barrel override)



9560920 - 2 metre cable

9560940 - 4 metre cable

9560960 - 6 metre cable

**Other lengths available on request*

NOTE: All cables have silicone boot and retaining band one end with male connector the other

We're here and ready to help

We have been manufacturing smart locks and locking systems in our UK facility for over 20 years and have sold over 2 million smart locking solutions globally. Supported by our expert teams in Europe and America, we are your trusted partner for any locking requirement.

Visit our websites for more information:

Lowe & Fletcher
www.lowe-and-fletcher.co.uk



Euro-Locks
www.euro-locks.com



Lowe & Fletcher Inc
www.loweandfletcherinc.com



CONTACT DETAILS

Lowe & Fletcher Ltd (UK)

E: sales@lowe-and-fletcher.co.uk
T: +44 (0) 121 505 0400

Euro-Locks SA (France)

E: euro-locks@euro-locks.fr
T: +33 (0)3.87.92.61.11

Lowe & Fletcher Inc (USA)

E: sales@loweandfletcherinc.com
T: +1 (616) 994 0490

Euro-Locks Sicherheitseinrichtungen GmbH (Germany)

E: vertrieb@euro-locks.de
T: +49 (0) 6897 9072 0

Euro-Locks SA NV (Belgium)

E: sales@euro-locks.be
T: +32 61 212.261

Euro-Locks Sp. z o. o. (Poland)

E: sekretariat@euro-locks.pl
T: +48 (32) 344-78-70, -82, -84



L&F A Lowe & Fletcher Group Company

© Copyright Lowe & Fletcher Group 2023.