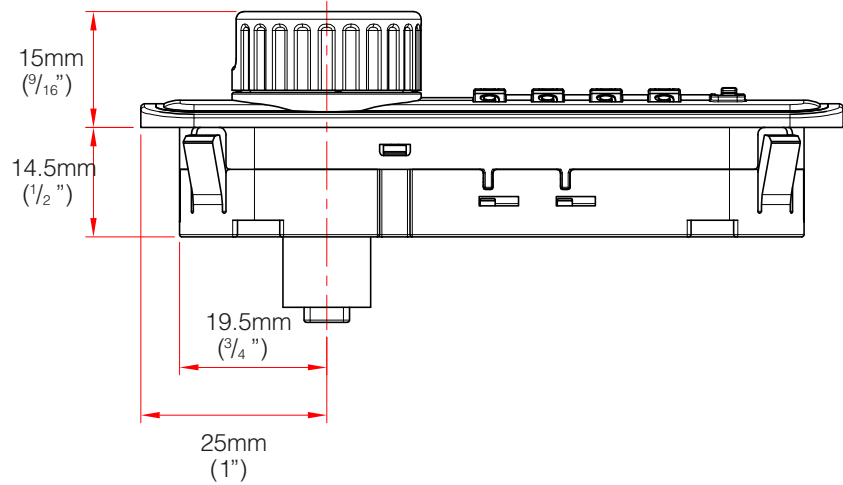
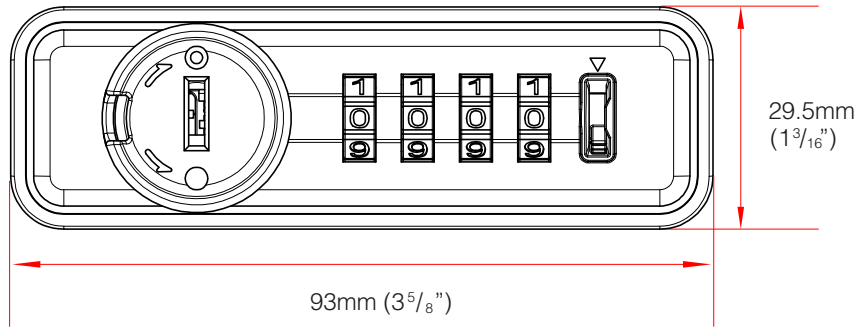
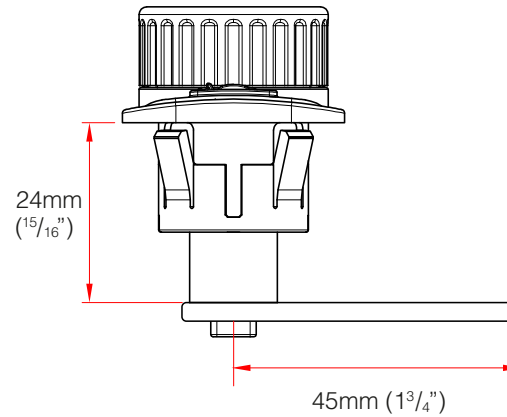
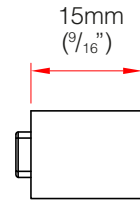
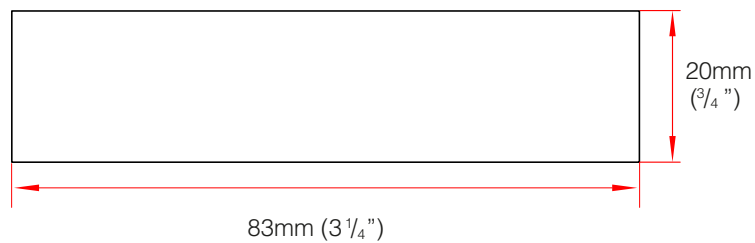


# KitLock KL15 Mechanical | Dimensions

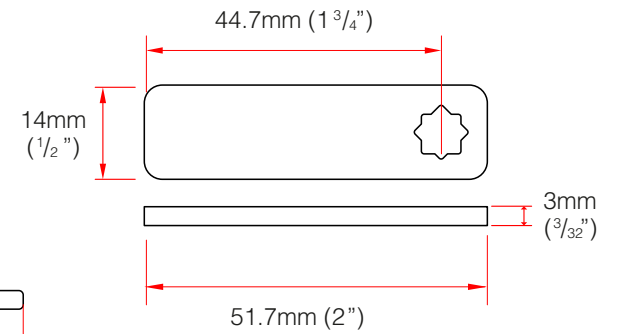
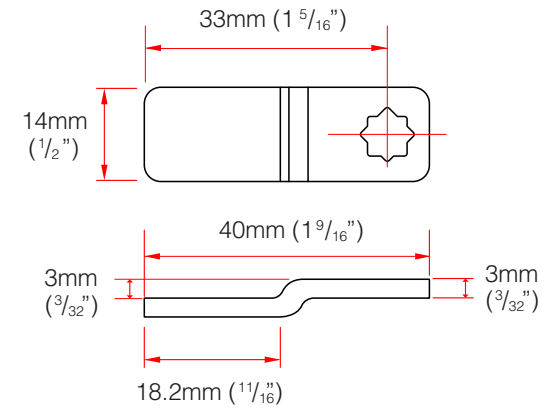
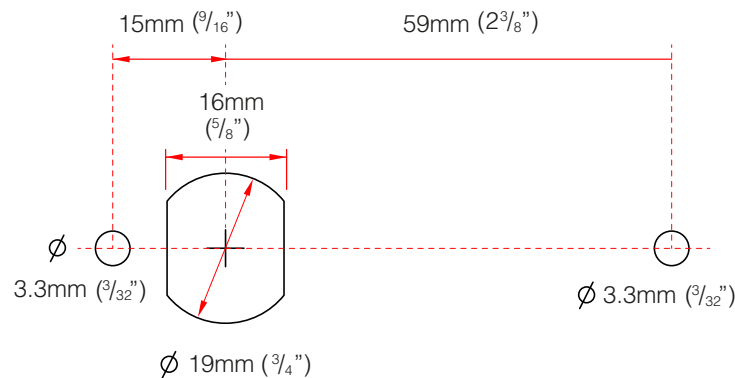


**Flush Fit** Typical door prep.



**Surface Mount**

Typical spindle prep.



CODELOCKS Ltd.  
Tel: +44 (0) 1635 239645  
sales@codelocks.co.uk  
www.codelocks.co.uk

CODELOCKS EU B.V.  
Tel: +31 53 80 80 118  
sales@codelocks.eu  
www.codelocks.eu

CODELOCKS Inc.  
Tel: +1 714 979 2900  
sales@codelocks.us  
www.codelocks.us

CODELOCKS (Australia) Pty Ltd.  
Tel: +61 2 9882 1009  
sales@codelocks.com.au  
www.codelocks.com.au

**KitLock**  
by Codelocks